

NEEDLE VALVE

Model: VN01 SPECIFICATIONS

End Connections: NPT threaded, ASME b1.20.1

DIN 2999 & BS21; ISO 228/1 & ISO 7/1

Max. Operating Pressure: 6000 PSIG @ 100 °F*

Operating Temperature Range: -60 to 450°F*

Fire safe design



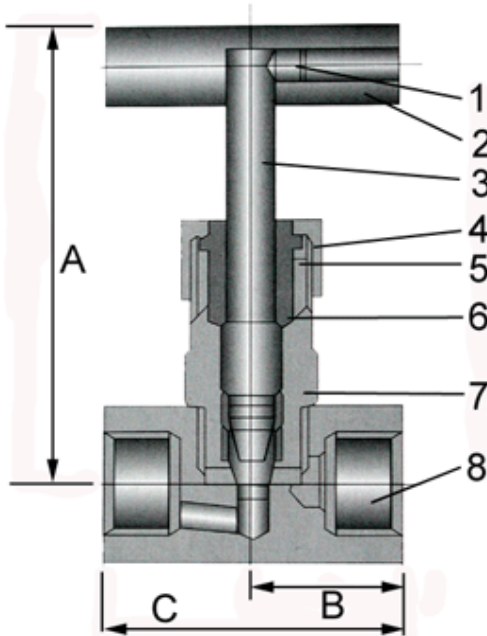
Model: VN01

DIMENSIONS (mm) & Cv

SIZE	1/8"	1/4"	3/8"	1/2"	3/4"	1"
A	75	75	75	87	90	103
B	25	25	25	30	32.5	40
C	50	50	50	60	65	80
Cv	0.43	0.43	0.74	1.36	2.64	3.60

MAIN PARTS AND MATERIALS

NO	PART NAME	MATERIAL
1	SET SCREW	SS304
2	HANDLE	SS304
3	STEM	SS316
4	GLAND NUT	SS304
5	GLAND	SS304
6	PACKING	TEFLON
7	BONNET	SS316
8	BODY	SS316



Maximum Operating Pressure - Temperature Data
1/8" to 1" Needle Valve Model: VND1

