

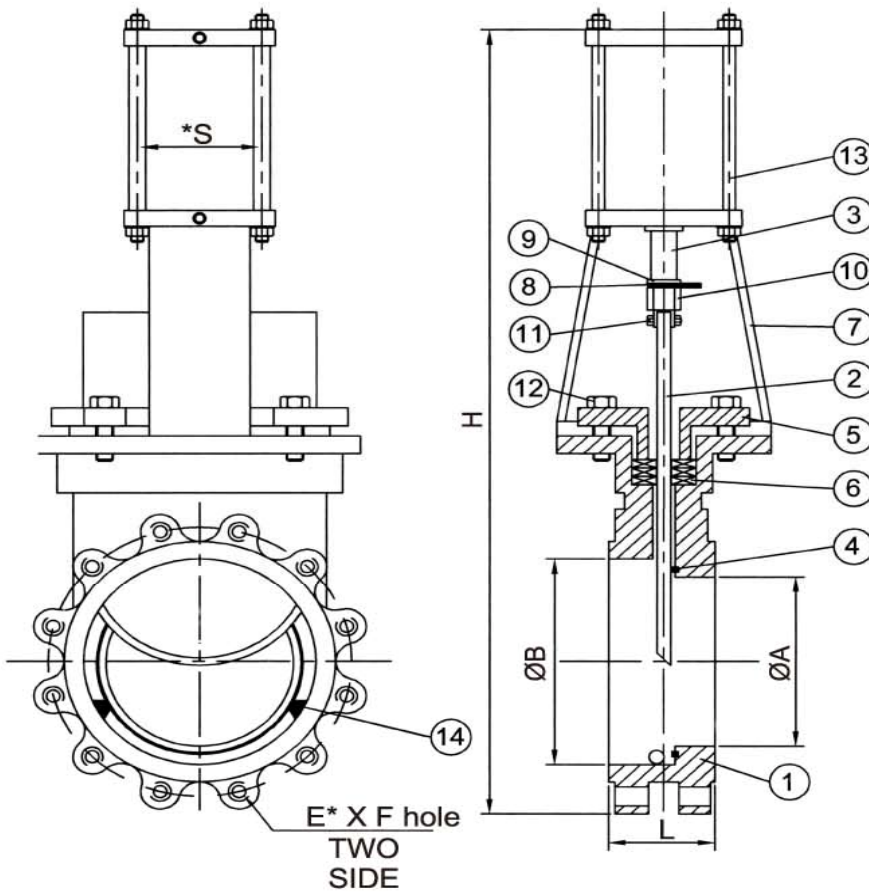


Model : M-04

# PNEUMATIC TYPE STAINLESS KNIFE GATE VALVE

MODEL- **M** -04

CONNECTION RATING:  
 JIS 5K JIS 10K JIS7.5K  
 ANSI 150#  
 DIN PN10 PN16



MSS-SP81 TEST STANDARD:  
 BODY TEST: 11kg/cm<sup>2</sup> (WATER)  
 SEAT TEST: 2.8kg/cm<sup>2</sup> (WATER)  
 LEAKAGE: 4 cc/per in.min.

|     |               |                 |
|-----|---------------|-----------------|
| 14  | GUIDE         | SUS304          |
| 13  | ACTUATOR      | AlALLOY.FC      |
| 12  | BOLT AND NUT  | SUS304          |
| 11  | CONNECTOR     | SUS304          |
| 10  | NUT           | SUS304          |
| 9   | NUT           | SUS304          |
| 8   | POINTER       | SUS304          |
| 7   | YOKE          | DUCTILE IRON    |
| 6   | GLAND PACKING | ASB NON-ASB     |
| 5   | GLAND         | SUS304          |
| 4   | SEAT          | TEFLON          |
| 3   | STEM          | SS41+HCr        |
| 2   | PLATE         | SUS304.316.316L |
| 1   | BODY          | CF8.CF8M.CF3M   |
| NO. | SUBJECT       | MATERIAL        |

( FOR REFERENCE ONLY. )

DIMENSION TABLE : MM

| SIZE   | L   | ØA  | ØB  | ØS  | H    |
|--------|-----|-----|-----|-----|------|
| 2"     | 48  | 42  | 64  | 63  | 520  |
| 2-1/2" | 51  | 57  | 80  | 63  | 570  |
| 3"     | 51  | 72  | 95  | 80  | 680  |
| 4"     | 51  | 95  | 120 | 80  | 755  |
| 5"     | 57  | 125 | 148 | 125 | 900  |
| 6"     | 57  | 150 | 175 | 125 | 960  |
| 8"     | 70  | 195 | 222 | 150 | 1160 |
| 10"    | 70  | 250 | 275 | 180 | 1440 |
| 12"    | 76  | 300 | 325 | 200 | 1605 |
| 14"    | 76  | 350 | 375 | 250 | 1860 |
| 16"    | 89  | 400 | 430 | 250 | 2070 |
| 18"    | 89  | 435 | 475 | 250 | 2200 |
| 20"    | 114 | 480 | 515 | 300 | 2400 |
| 24"    | 114 | 580 | 620 | 300 | 2750 |

( FOR REFERENCE ONLY. )

**MATERIAL:**

|          | BODY | PLATE   | SEAT   | GLAND PACKING          |
|----------|------|---------|--------|------------------------|
| MATERIAL | CF8  | SUS304  | TEFLON | NON-ASB+PTFE           |
|          | CF8M | SUS316  | METAL  | ASB                    |
|          | CF3M | SUS304L | VITON  | ASB+PTFE               |
|          |      | SUS316L | EPDM   | TEFLON<br>NON ASBESTOS |

**TEMPERATURE:**

| MATERIAL      | TEM. RANGE   |
|---------------|--------------|
| ASBESTOS+PTFE | -50° ~ 550°C |
| SILICON       | -20° ~ 150°C |
| VITON         | -20° ~ 250°C |
| TEFLON        | -30° ~ 150°C |
| NON ASBESTOS  | -50° ~ 550°C |