

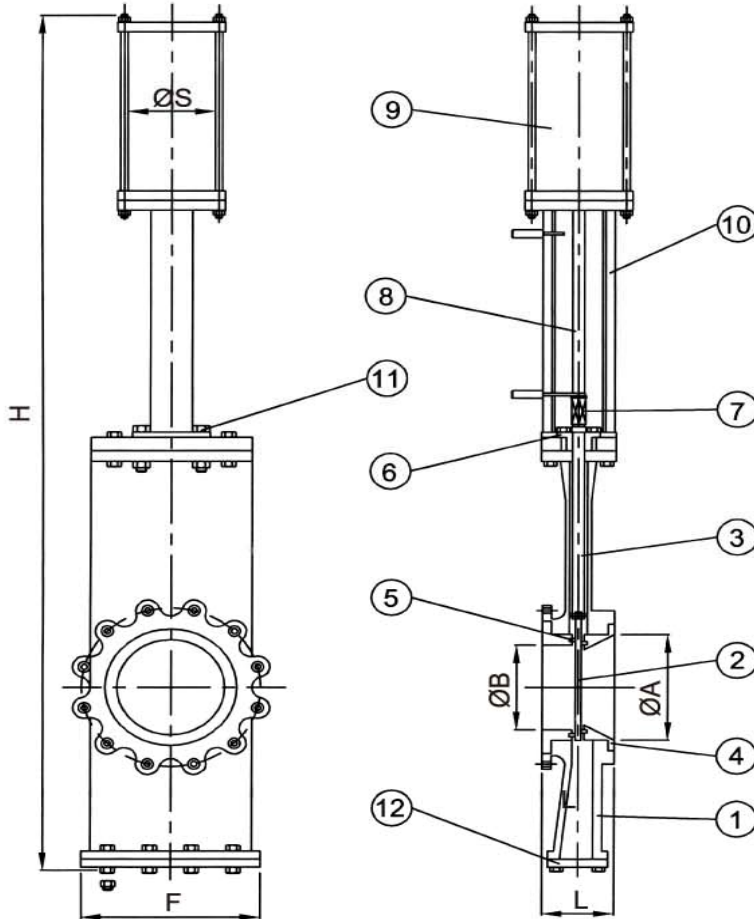


Model : M-08

# PNEUMATIC TYPE STAINLESS STEEL KNIFE GATE VALVE

MODEL- -08

CONNECTION RATING:  
 JIS 5K JIS 10K JIS7.5K  
 ANSI 150#  
 DIN PN10 PN16



MSS-SP81 TEST STANDARD:  
 BODY TEST: 11kg/cm<sup>2</sup> (WATER)  
 SEAT TEST: 2.8kg/cm<sup>2</sup> (WATER)  
 LEAKAGE: 4 cc/per in.min.

12	COVER	CF8
11	NUT	SUS304
10	YOKE	FCD / WCB
9	ACTUATOR	Aluminum Alloys FC
8	STEM	SS41+HCr
7	CONNECTORVER	SUS304
6	GLAND	CF8
5	SEAT	PTFE
4	入口導流板	CF8
3	STEM	SUS304
2	PLATE	SUS304
1	BODY	CF8
NO.	SUBJECT	MATERIAL

DIMENSION TABLE : MM

SIZE	H	ØA	ØB	F	L	ØS
2"	940	50	50	152	120	63
2-1/2"	990	65	65	180	120	63
3"	1050	90	90	190	120	80
4"	1200	116	116	230	120	80
5"	1350	145	145	255	120	125
6"	1500	170	170	280	120	125
8"	1700	221	221	345	150	150
10"	1900	276	276	400	150	180
12"	2200	325	325	480	150	200

( FOR REFERENCE ONLY. )

( FOR REFERENCE ONLY. )

**MATERIAL:**

	BODY	PLATE	SEAT	GLAND PACKING
MATERIAL	SCS13	SUS304	TEFLON	ASBESTOS+PTFE
	SCS14	SUS316	METAL	TEFLON
	AL	SUS304L	VITON	NON ASBESTOS
		SUS316L	NBR	

**TEMPERATURE:**

MATERIAL	TEM. RANGE
ASBESTOS+PTFE	-50° ~ 550°C
SILICON	-20° ~ 150°C
VITON	-20° ~ 250°C
TEFLON	-30° ~ 150°C
NON ASBESTOS	-50° ~ 550°C