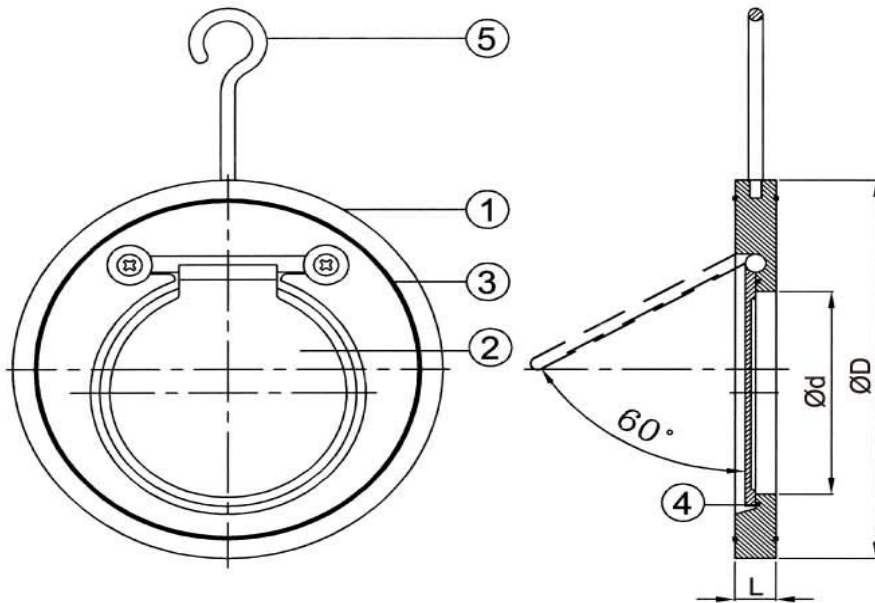


SINGLE DOOR WAFER TYPE CHECK VALVE

MODEL- M -29



PARTS LIST

NO		MATERIAL	Q'TY	FIG	STAINLESS STEEL	SUS304 SUS316	SUS304 SUS316	SUS304 SUS316
				1	BODY	FC WCB SUS304 SUS316	1	
2	CLAPPER	FCD WCB SUS304 SUS316	1		FLUID	AIR.OIL.WATER & OTHERS	AIR.OIL HOT WATER & OTHERS	AIR.OIL STEAM & OTHERS
3	BODY SEAT	NBR VITON PIFE METAL	2					
4	CLAPPER SEAT	NBR VITON PIFE METAL	1		WORKING PRESSURE (MAX)(kgf/cm ²)	14	12	12
5	O-BOLT	304SS	1		FLUID TEMP(MAX) (°C)	80	250	200

INSTALLATION DIMENTIONS

SIZE MARK	1/2"	1/4"	1"	1-1/4"	1-1/2"	2"	2-1/2"	3"	4"	5"	6"	8"	10"	12"	14"	16"	18"	20"	22"	24"	26"	
	d	8	9	12	16	21	30	42	50	72	93	113	142	190	211	260	306	358	408	450	485	520
D	10K	55	60	70	80	85	104	124	134	155	190	220	270	325	370	415	475	530	580	640	690	745
	150 LB	47	56	66	76	85	104	124	134	174	190	220	278	340	409	448	510	548	605	657	715	770
L	14	14	14	14	14	14	14	14	18	18	20	27	29	35	38	45	55	65	70	70	70	