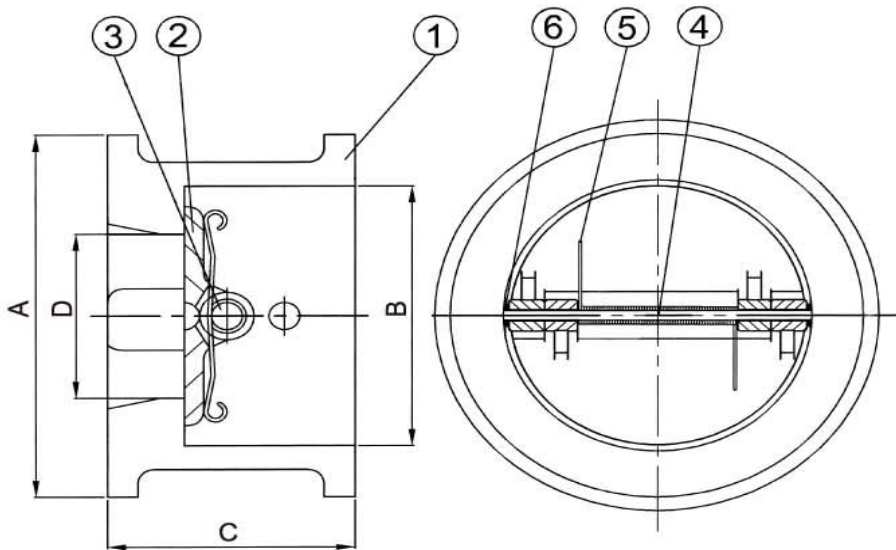


DUAL PLATE WAFER TYPE CHECK VALVE

MODEL- -30



PARTS LIST

| ITEM NO | PART NAME | MATERIAL | | | |
|---------|-----------|----------|--------|--------|---------|
| | | WCB | CF8 | CF8M | CF3M |
| 1 | BODY | WCB | CF8 | CF8M | CF3M |
| 2 | PLATES | WCB | CF8 | CF8M | CF3M |
| 3 | HINGE PIN | SUS304 | SUS304 | SUS316 | SUS316L |
| 4 | SEAT | CF8 | CF8 | CF8M | CF3M |
| 5 | SPRING | SUS304 | SUS304 | SUS316 | SUS316 |
| 6 | WASHER | SUS304 | SUS304 | SUS316 | SUS316 |

INSTALLATION DIMENSIONS

| SIZE MARK | 2" | 2-1/2" | 3" | 4" | 5" | 6" | 8" | 10" | 12" | 14" | 16" | 18" | 20" | 24" | 26" | 28" | 30" | 32" | 36" |
|-----------|-----|--------|-----|-----|-----|-----|-----|-----|-----|-----|-----|-----|-----|-----|------------|------------|------------|------------|-------------|
| A | 103 | 123 | 134 | 173 | 190 | 219 | 270 | 332 | 403 | 448 | 513 | 538 | 593 | 697 | 720 760 | 770 820 | 815 870 | 870 930 | 980 1040 |
| B | 70 | 80 | 90 | 115 | 140 | 170 | 225 | 280 | 323 | 358 | 435 | 485 | 530 | 630 | 630 | 730 | 780 | 830 | 900 |
| C | 60 | 67 | 73 | 73 | 83 | 98 | 127 | 146 | 181 | 184 | 191 | 203 | 219 | 222 | 222 | 280 | 305 | 356 | 368 |
| D | 45 | 52 | 68 | 90 | 110 | 135 | 186 | 240 | 275 | 295 | 360 | 400 | 450 | 550 | 550 | 650 | 700 | 750 | 850 |