

Bourdon Tube Pressure Gauges

Industrial Series, NS 250

Measuring System Cu-alloy • Model 211.11

Measuring System Stainless Steel • Model 231.11

Pressure Gauges

Service intended

For plants and equipment where measured values must be read from a distance (max. approx. 15 m).

Model 211.11: Suitable for all gaseous and liquid media that will not obstruct the pressure system or attack copper alloy parts.

Model 231.11: Version for corrosive media

Design

EN 837-1

Nominal size

250 mm

Accuracy class per EN 837-1 /6

1.0

Scale ranges per EN 837-1 /5

0 ... 0.6 to 0 ... 1000 bar
or other equivalent units of pressure or vacuum

Working pressure

Steady: full scale value

Fluctuating: 0.9 x full scale value

Short time: 1.3 x full scale value

Operating temperature

Ambient: -40 ... +60 °C

Medium: +80 °C maximum (Model 211.11)
+200 °C maximum (Model 231.11)

Temperature effect

When temperature of the pressure element deviates from reference temperature (+20 °C):
max. $\pm 0.4\%/10\text{ K}$ of true scale value

Ingress protection

IP 54 per EN 60 529 / IEC 529

Standard features

Pressure connection

Lower mount (LM) or lower back mount (LBM) per EN 837-1 /7.3

G ½ B (male), 22 mm flats

Model 211.11: Cu-alloy

Model 231.11: stainless steel 316L

Pressure element

Model 211.11: Cu-alloy

Model 231.11: stainless steel 316L

Movement

Cu-alloy, wear parts argentan



Dial

White aluminium with black lettering

Pointer

Black aluminium

Case

Black finish steel

Window

Instrument glass

Bezel ring

Slip-on bezel, black finish steel

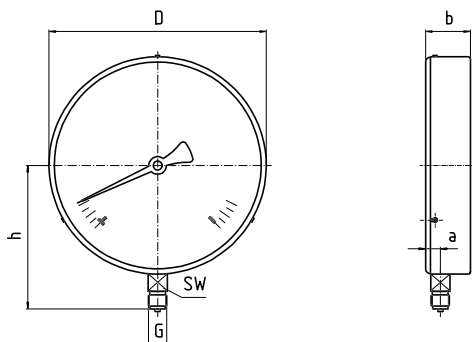
Optional extras

- Other pressure connections
- 3-hole surface or panel mounting flange, black finish steel
- Laminated safety glass or acrylic window
- Restrictor in the process connection
- Stainless steel movement
- Adjustable pointer
- Red set pointer or drag pointer
- Cleaned for oxygen service

Dimensions

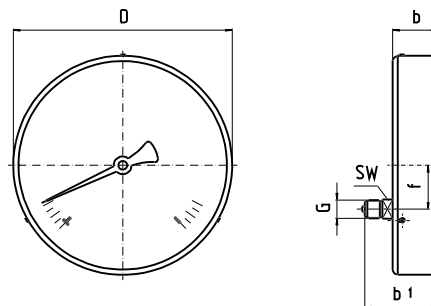
Standard version

Radial bottom pressure entry (LM)



2183 944.01

Lower back pressure entry (LBM)



2183 952.01

Nominal size	Dimensions [mm]								Weight [kg]
	a	b	b ₁	D	f	G	h + 1	SW	
250	17	51.5 ¹⁾	83.5 ²⁾	250	50	G ½ B	165	22	2.3

Standard pressure entry with parallel thread and seating to EN 837-1 / 7.3

- 1) 64.5 mm with pressure ranges ≥ 100 bar
 2) 96.5 mm with pressure ranges ≥ 100 bar

Ordering information

State:

Pressure gauge model / Nominal size / Scale range / Size and location of connection / Optional extras required

Specifications and dimensions given in this leaflet represent the state of engineering at the time of printing. Modifications may take place and materials specified may be replaced by others without prior notice.



WIKAI Alexander Wiegand GmbH & Co. KG
 Alexander-Wiegand-Straße · 63911 Klingenberg
 Tel.: (0 93 72) 132-0 · Fax: (0 93 72) 132-406
<http://www.wika.de> · E-mail: info@wika.de