

# RCEL 005 / 005L

## Electric Actuators



**RCEL005**



**RCEL005L**

- Enclosure: IP68, Nema 4 and 6.
- Dome type position indicator for high visualization. Illuminated at fully open or fully closed position.
- For small quarter-turn applications.
- 2-watt space heater is included as standard which protects the components and extends the actuator's life.
- In case of a power loss, a manual override provides for positioning the valve.
- Worm gear drive eliminates the possibility of back drive and the need for motor brakes.
- Two limit switches and two auxiliary switches for e.g. end position signaling to PLC or PC-port.
- Lightweight and compact design for greater versatility.
- Thermal protection prevents the motor from overheating.

[www.remotecontrol.se](http://www.remotecontrol.se)



Remote Control  
[www.remotecontrol.se](http://www.remotecontrol.se)  
[info@remotecontrol.se](mailto:info@remotecontrol.se)



Remote Control  
[www.remotecontrol.de](http://www.remotecontrol.de)  
[info@remotecontrol.de](mailto:info@remotecontrol.de)



Remote Control  
[www.remotecontrol.co.uk](http://www.remotecontrol.co.uk)  
[info@remotecontrol.co.uk](mailto:info@remotecontrol.co.uk)



Remote Control  
[www.remotecontrol.com.sg](http://www.remotecontrol.com.sg)  
[info@remotecontrol.com.sg](mailto:info@remotecontrol.com.sg)



Remote Control  
[www.rciactuators.com](http://www.rciactuators.com)  
[sales@rciactuators.com](mailto:sales@rciactuators.com)

# RCEL 005 / 005L

Actuator type	Torque Nm	24 VDC	1-phase 110V 60Hz	1-phase 230V 50Hz	Accessories					Mounting, mount kits, act/valve <sup>(1)</sup>
					TAC	PIU	CPT	PCU	LCU	
RCEL 005	50	▪	▪	▪	▪					▪
RCEL 005L	50	▪	▪	▪	▪	▪	▪	▪	▪	▪

1) Valve type, brand and size to be advised

ACCESSORIES	
PIU	Potentiometer kit, 1 kOhm
CPT	Current Position Transmitter, 4-20 mA feed back signal
PCU	Positioner with feed back signal 4-20 mA
LCU	Local Control Unit



Remote Control  
 Kontrollvägen 15  
 SE-791 45 Falun  
 Sweden  
 Tel +46 (0)23-587 00  
 Fax +46 (0)23-587 45  
 www.remotecontrol.se  
 info@remotecontrol.se



Remote Control  
 Gutenbergstr. 22  
 DE-41564 Kaarst-Büttgen  
 Germany  
 Tel +49 (0)2131-795 760  
 Fax +49 (0)2131-795 7615  
 www.remotecontrol.de  
 info@remotecontrol.de



Remote Control  
 Unit 40, Trent Valley Works  
 Station Road, Rugeley  
 Staffordshire WS15 3HB  
 England  
 Tel +44 (0)1889-576 888  
 Fax +44 (0)1889-577 676  
 www.remotecontrol.co.uk  
 info@remotecontrol.co.uk



Remote Control  
 67 Ubi Crescent, #01-07  
 Techniques Centre  
 Singapore 408560  
 Tel +65 6848 7150  
 Fax +65 6746 5815  
 www.remotecontrol.com.sg  
 info@remotecontrol.com.sg



Remote Control  
 PO Box 355  
 386 Dry Bridge Rd  
 North Kingstown, RI 02852  
 USA  
 Tel +1 (401) 294-1400  
 Fax +1 (401) 294-3388  
 www.rciactuators.com  
 sales@rciactuators.com

# RCEL 005 / 005L

## Electric Actuators

### PERFORMANCE

Type	Max torque Nm	Op. Time sek 90° 50Hz/60Hz	Square drive	Weight Kgs	No. of handle turns	Current draw max. (A) 1-ph 24VAC	Current draw max. (A) 24VDC	Current draw max. (A) 1-ph 110V	Current draw max. (A) 1-ph 230V
005	50	17/14	14	2,8	6	1,8	1,8	0,35	0,23
005L	50	17/14	14	3,2	6	1,8	1,8	0,35	0,23

### STANDARD SPECIFICATION

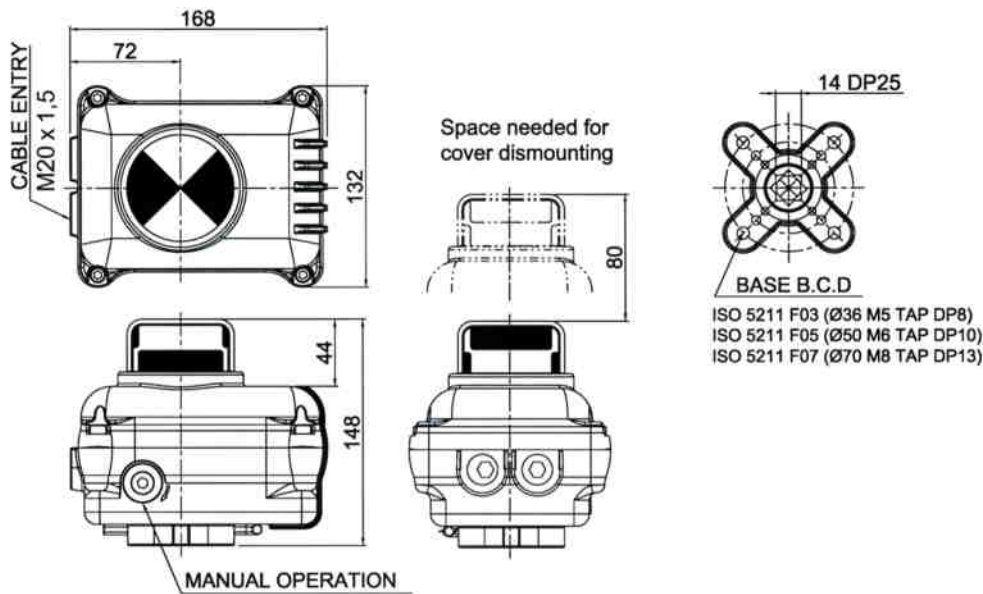
<b>Enclosure</b>	IP68 Nema 4 and 6
<b>Ambient Temp</b>	-20 °C to +70 °C
<b>Power Supply</b>	110/230VAC, 1Phase ±10 % 24VDC (24VAC). 50Hz/60Hz
<b>Limit Switches</b>	Open/Close, 2+2 pcs
<b>Stall Protection</b>	Built-in Thermal Protection Cut-off at 120 °C
<b>Travel Angle</b>	90°
<b>Indicator</b>	Continuous Position Indicator Illuminated at fully open or fully closed position
<b>Manual Override</b>	Allen key (6mm)
<b>Worm Gear</b>	Permanently lubricated and Selflocking
<b>Space Heater</b>	2W (110/230VAC) 24VDC Anti-condensation
<b>Conduit Entries</b>	M20 x 1,5
<b>Lubrication</b>	Grease Moly (EP-type)
<b>Materials</b>	Steel, Aluminium Alloy, Al Bronze
<b>External coating</b>	Anodized and Dry Powder Polyester

### OPTIONAL ITEMS

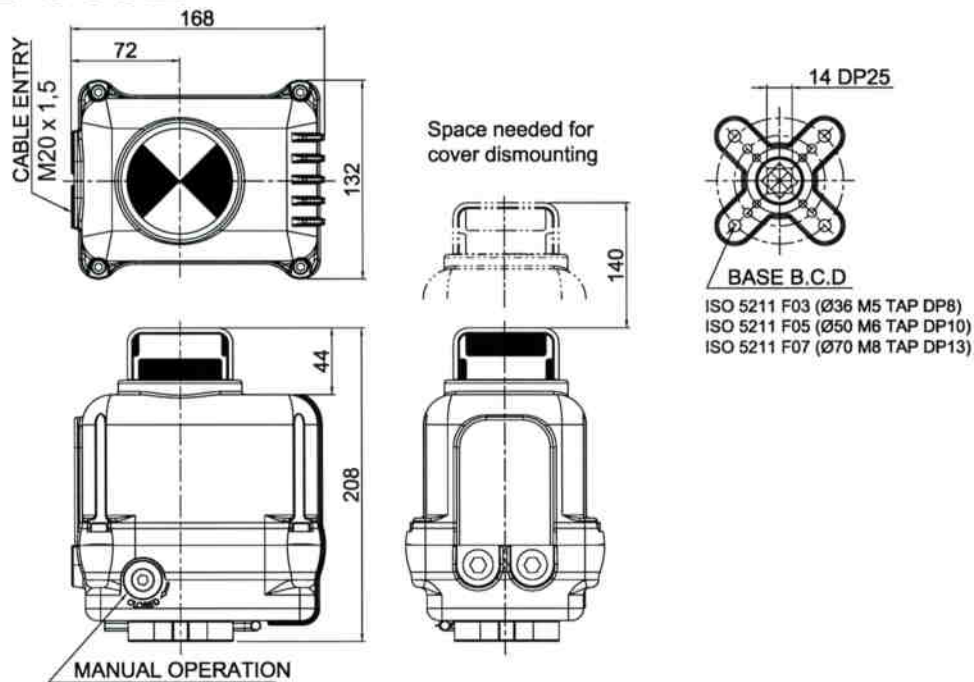
<b>LCU</b>	Local Control Unit Local/Off/Remote Selector S/W Open/Stop/Close Selector S/W
<b>PIU</b>	Potentiometer Unit 1 kOhm
<b>CPT</b>	Current Position Transmitter Output signal: 4-20mA DC
<b>PCU</b>	Proportional Control Unit Input signal: 4-20mA, 2-10V DC Output signal: 4-20mA DC



## RCEL 005



## RCEL 005L



Remote Control  
Kontrollvägen 15  
SE-791 45 Falun  
Sweden  
Tel +46 (0)23-587 00  
Fax +46 (0)23-587 45  
www.remotecontrol.se  
info@remotecontrol.se



Remote Control  
Gutenbergstr. 22  
DE-41564 Kaarst-Büttgen  
Germany  
Tel +49 (0)2131-795 760  
Fax +49 (0)2131-795 7615  
www.remotecontrol.de  
info@remotecontrol.de



Remote Control  
Unit 40, Trent Valley Works  
Station Road, Rugeley  
Staffordshire WS15 3HB  
England  
Tel +44 (0)1889-576 888  
Fax +44 (0)1889-577 676  
www.remotecontrol.co.uk  
info@remotecontrol.co.uk



Remote Control  
67 Ubi Crescent, #01-07  
Techniques Centre  
Singapore 408560  
Tel +65 6848 7150  
Fax +65 6746 5815  
www.remotecontrol.com.sg  
info@remotecontrol.com.sg



Remote Control  
PO Box 355  
386 Dry Bridge Rd  
North Kingstown, RI 02852  
USA  
Tel +1 (401) 294-1400  
Fax +1 (401) 294-3388  
www.rciactuators.com  
sales@rciactuators.com



# RCEL 005 / 005L

## Electric Actuators - Instruction

### INSTALLATION

1. Mounting on valve (A).
2. Electric wiring (B).
3. Adjustment (C).
4. Manual operation (D).

NOTE: Only electric wiring, according to instruction B, is required when the actuator is delivered from Remote Control mounted on a valve. It is adjusted and ready for operation.

### WARNING!



Remove power before the cover is dismantled! The actuator must be handled with the utmost care when the cover is removed and the power is connected.

### A. MOUNTING ON VALVE

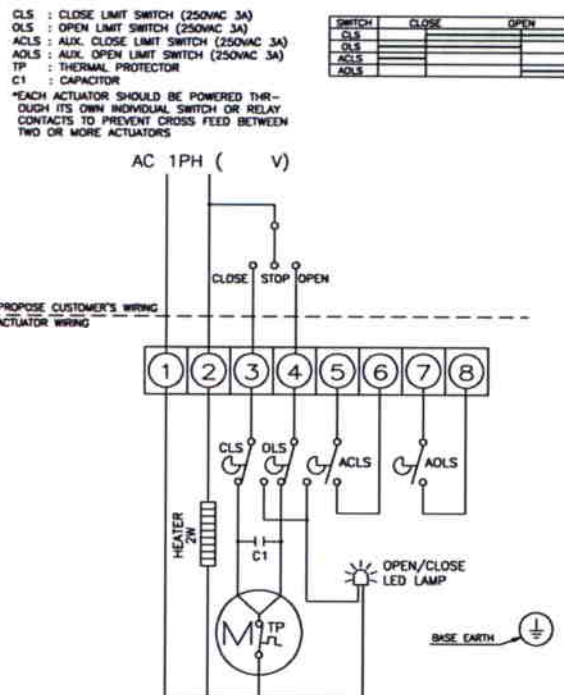
1. Operate the valve manually to fully open or fully closed position before the actuator is mounted.
2. Operate the actuator manually (see D) to fully open or fully closed position.
3. Check that the actuator and valve stem are in correct position. Please note, valve and actuator must be in the same mode (fully open / fully closed) prior to the assembly.
4. Mount the actuator on the valve and check that the actuator and valve stems are centered and aligned. If a mounting bracket is used, the fit must be checked so that no distortion or play exists.
5. Operate the valve manually with the aid of allen key (see D) and check that the valve moves with normal resistance.
6. Check that all screws are correctly tightened.

### B. ELECTRIC WIRING

NOTE: Electric wiring must be carried out by qualified personnel only!

1. Loosen the screws on the cover and lift it off.
2. Check the voltage marked on the actuator label.
3. Connect according to the enclosed wiring diagram or, if the actuator is of standard design, according to the wiring diagram below. The wiring diagram is drawn in unaffected position (the valve in intermediate position).
4. Test run the actuator from the intermediate position checking that the actuator turns in the correct direction.
5. Test run the actuator and check that the limit switches work correctly.
6. Check that the cable entries and possible blind plug are sealed.
7. Mount the cover.

Wiring diagram No. ST 12000 A



[www.remotecontrol.se](http://www.remotecontrol.se)



Remote Control Sweden  
 Tel +46 (0)23 587 00  
 Fax +46 (0)23 587 45  
[www.remotecontrol.se](http://www.remotecontrol.se)  
[info@remotecontrol.se](mailto:info@remotecontrol.se)



Remote Control  
 Tel +49 (0)2131 795 760  
 Fax +49 (0)2131 795 7615  
[www.remotecontrol.de](http://www.remotecontrol.de)  
[info@remotecontrol.de](mailto:info@remotecontrol.de)



Remote Control Ltd  
 Tel +44 (0)1889 576 888  
 Fax +44 (0)1889 577 676  
[www.remotecontrol.co.uk](http://www.remotecontrol.co.uk)  
[info@remotecontrol.co.uk](mailto:info@remotecontrol.co.uk)



Remote Control Asia  
 Tel +65 6848 7150  
 Fax +65 6746 5815  
[www.remotecontrol.com.sg](http://www.remotecontrol.com.sg)  
[info@remotecontrol.com.sg](mailto:info@remotecontrol.com.sg)



Remote Control Inc  
 Tel +1 (0)401 294 1400  
 Fax +1 (0)401 294 3388  
[www.rciactuators.com](http://www.rciactuators.com)  
[sales@rciactuators.com](mailto:sales@rciactuators.com)

## C. ADJUSTING

1. Make the final cam adjustments for the limit switches (if necessary) according to instruction (a) below.
2. Run the actuator from one end position to the other a number of times.
3. Adjust the indicator disc for visual indication so that it relates to the valve position.
4. Test run the actuator and check that the limit indicators are working correctly.
5. Mount the cover.

### (a) Adjustment of cams for limit switches:

1. Operate the actuator manually to closed position.
2. Adjust the cam for closed position (lower cam) marked CLS on the electronic card.
3. Operate the actuator manually to open position.
4. Adjust the cam for open position (upper cam) marked OLS on the electronic card.
5. Test run the actuator.

## D. MANUAL OPERATION

1. Take the attached 6mm Allen key mounted underside the actuator.
2. Insert the 6mm Allen key and turn the valve to the required position.
3. Turn clockwise to close and anti-clockwise to open.



Ref No 618 / Art No 980618

[www.remotecontrol.se](http://www.remotecontrol.se)



Remote Control Sweden  
Kontrollvägen 15  
SE-791 45 Falun  
Sweden  
Tel +46 (0)23 587 00  
Fax +46 (0)23 587 45  
[www.remotecontrol.se](http://www.remotecontrol.se)  
[info@remotecontrol.se](mailto:info@remotecontrol.se)



Remote Control  
Gutenbergstr. 22  
DE-41564 Kaarst-Büttgen  
Germany  
Tel +49 (0)2131 795 760  
Fax +49 (0)2131 795 7615  
[www.remotecontrol.de](http://www.remotecontrol.de)  
[info@remotecontrol.de](mailto:info@remotecontrol.de)



Remote Control Ltd  
Unit 40, Trent Valley Works  
Station Road, Rugeley  
Staffordshire WS15 3HB  
England  
Tel +44 (0)1889 576 888  
Fax +44 (0)1889 577 676  
[www.remotecontrol.co.uk](http://www.remotecontrol.co.uk)  
[info@remotecontrol.co.uk](mailto:info@remotecontrol.co.uk)



Remote Control Asia  
67 Ubi Crescent, #01-07  
Techniques Centre  
Singapore 408560  
Tel +65 6848 7150  
Fax +65 6746 5815  
[www.remotecontrol.com.sg](http://www.remotecontrol.com.sg)  
[info@remotecontrol.com.sg](mailto:info@remotecontrol.com.sg)



Remote Control Inc  
PO Box 355  
386 Dry Bridge Rd  
North Kingstown, RI 02852  
USA  
Tel +1 (0)401 294 1400  
Fax +1 (0)401 294 3388  
[www.rciactuators.com](http://www.rciactuators.com)  
[sales@rciactuators.com](mailto:sales@rciactuators.com)